

Technical Data Sheet V 140x6,3

Basic Info

KSF V 140x6,3x 2000 PT HDG	KSF V 140x6,3x 1500 ET HDG	KSF V 140x6,3x 1500 EH HDG	KSF V 140x6,3x 860 E HDG	KSF V 140x6,3x 300 M24 HDG
Nominal length (mm) 2000				
1500		1500	860	300
Tube diameter (mm)				
140	140	140	140	140
Weight (kg)				
47	34	35	17	10
Steel grade (tube)				
S 235	S 235	S 235	S 235	S 235
Item number				
A0486	A0485	A0484	A0487	A0479

Construction

- Flange: Sheet metal S 355
- Continuous welded helix
- Hot-dip galvanizing according to DIN EN ISO 1461
- Extra hard Hardox drive point
- Extra thick 6-mm-helix

Accessories



Screw Set KSF V 140 M24
Art.-Nr. A1377



**KSF V
140x6,3x300
M24 HDG**



**KSF V
140x6,3x2000 PT
HDG**



**KSF V
140x6,3x1500 ET
HDG**



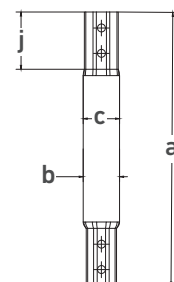
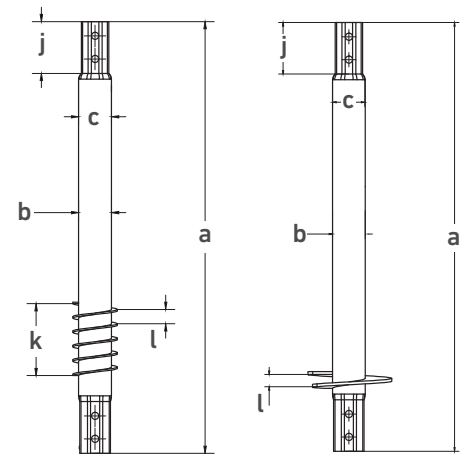
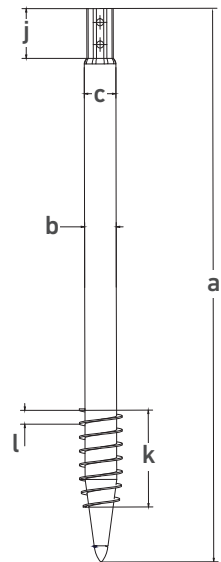
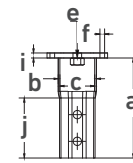
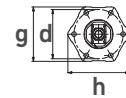
**KSF V
140x6,3x1500 EH
HDG**



**KSF V
140x6,3x860 E
HDG**



sustainable · durable · revolutionary



Technical Data

	KSF V 140x6,3x 2000 PT HDG	KSF V 140x6,3x 1500 ET HDG	KSF V 140x6,3x 1500 EH HDG	KSF V 140x6,3x 860 E HDG	KSF V 140x6,3x 300 M24 HDG
a	Length (mm)				
	2000	1500	1500	860	300
b	Outer diameter (mm)				
	140	140	140	140	140
c	Inner diameter (mm)				
	127	127	127	127	127
d	Pitch circle diameter (mm)				
	-	-	-	-	180
e	Central thread				
	-	-	-	-	M24
f	Pitch circle holes (mm)				
	-	-	-	-	6 x Ø 14
g	Flange wrench size (mm)				
	-	-	-	-	200
h	Flange outer diameter (mm)				
	-	-	-	-	225
i	Flange thickness (mm)				
	-	-	-	-	15
j	Octagon connection height (mm)				
	180	180	180	180	180
k	Thread length (mm)				
	550	250	-	-	-
l	Thread pitch (mm)				
	50	50	50	-	-