

## Technical Data sheet V 114x5

### Basic Info

| KSF V<br>114x5x<br>2000-PT | KSF V<br>114x5x<br>1500 -ET | KSF V<br>114x5x<br>1500-EH | KSF V<br>114x5x<br>860-E | KSF V<br>114x5x<br>M24 |
|----------------------------|-----------------------------|----------------------------|--------------------------|------------------------|
|----------------------------|-----------------------------|----------------------------|--------------------------|------------------------|

|                     |       |       |       |       |
|---------------------|-------|-------|-------|-------|
| Nominal length (mm) |       |       |       |       |
| 2000                | 1500  | 1500  | 860   | 300   |
| Tube diameter (mm)  |       |       |       |       |
| 114                 | 114   | 114   | 114   | 114   |
| Weight (kg)         |       |       |       |       |
| 30                  | 22    | 24    | 11    | 7     |
| Steel grade (tube)  |       |       |       |       |
| S 235               | S 235 | S 235 | S 235 | S 235 |
| Item number         |       |       |       |       |
| 25816               | 25817 | 57821 | 57816 | 57822 |

### Construction

- Flange: Sheet metal S 355
- Continuous welded helix
- Hot-dip galvanizing according to DIN EN ISO 1461
- Extra hard Hardox drive point
- Extra thick 5-mm-helix

### Accessories



Connection Screw Set 4 pcs.  
1,14 kg  
Item No. 25605



KSF V  
114x5xM24



KSF V  
114x5x2000-PT



KSF V  
114x5x1500-ET

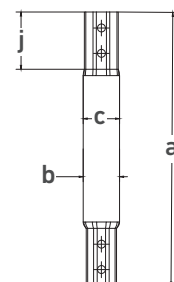
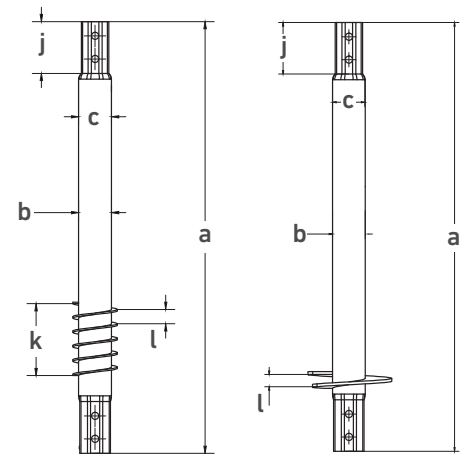
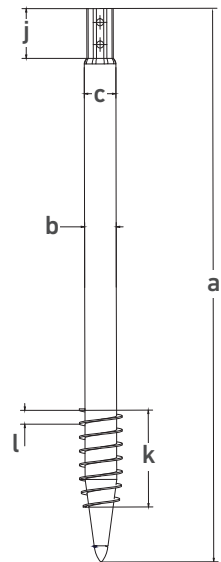
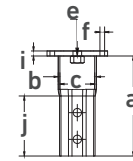
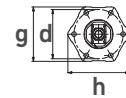


KSF V  
114x5x1500-EH



KSF V  
114x5x860-E





## Technical Data

|          | KSF V<br>114x5x<br>2000-PT     | KSF V<br>114x5x<br>1500-ET | KSF V<br>114x5x<br>1500-EH | KSF V<br>114x5x<br>860-E | KSF V<br>114x5x<br>M24 |
|----------|--------------------------------|----------------------------|----------------------------|--------------------------|------------------------|
| <b>a</b> | Length (mm)                    |                            |                            |                          |                        |
|          | 2000                           | 1500                       | 1500                       | 860                      | 300                    |
| <b>b</b> | Outer diameter (mm)            |                            |                            |                          |                        |
|          | 114                            | 114                        | 114                        | 114                      | 114                    |
| <b>c</b> | Inner diameter (mm)            |                            |                            |                          |                        |
|          | 104                            | 104                        | 104                        | 104                      | 104                    |
| <b>d</b> | Pitch circle diameter (mm)     |                            |                            |                          |                        |
|          | -                              | -                          | -                          | -                        | 150                    |
| <b>e</b> | Central thread                 |                            |                            |                          |                        |
|          | -                              | -                          | -                          | -                        | M24                    |
| <b>f</b> | Pitch circle holes (mm)        |                            |                            |                          |                        |
|          | -                              | -                          | -                          | -                        | 6 x Ø 14               |
| <b>g</b> | Flange wrench size (mm)        |                            |                            |                          |                        |
|          | -                              | -                          | -                          | -                        | 166                    |
| <b>h</b> | Flange outer diameter (mm)     |                            |                            |                          |                        |
|          | -                              | -                          | -                          | -                        | 182                    |
| <b>i</b> | Flange thickness (mm)          |                            |                            |                          |                        |
|          | -                              | -                          | -                          | -                        | 15                     |
| <b>j</b> | Octagon connection height (mm) |                            |                            |                          |                        |
|          | 180                            | 180                        | 180                        | 180                      | 180                    |
| <b>k</b> | Thread length (mm)             |                            |                            |                          |                        |
|          | 450                            | 250                        | -                          | -                        | -                      |
| <b>l</b> | Thread pitch (mm)              |                            |                            |                          |                        |
|          | 50                             | 50                         | 50                         | -                        | -                      |

Subject to technical change! Schematic representation!

Krinner Schraubfundamente GmbH | Passauer Straße 55 | D-94342 Straßkirchen  
Phone: +49 9424 9401-80 | E-Mail: service@krinner.com | www.krinner.io

062024